

# Quartz & Solid Surface Template Guide

## Before Starting

**IMPORTANT:** Your countertop will be produced to the exact specs on this template.

The lead time on your order starts from the day your template has been approved online.

All changes that are needed to the template should be on the drawing, included in the template kit. Do not modify the vinyl template by cutting it, in order to reconfigure it.

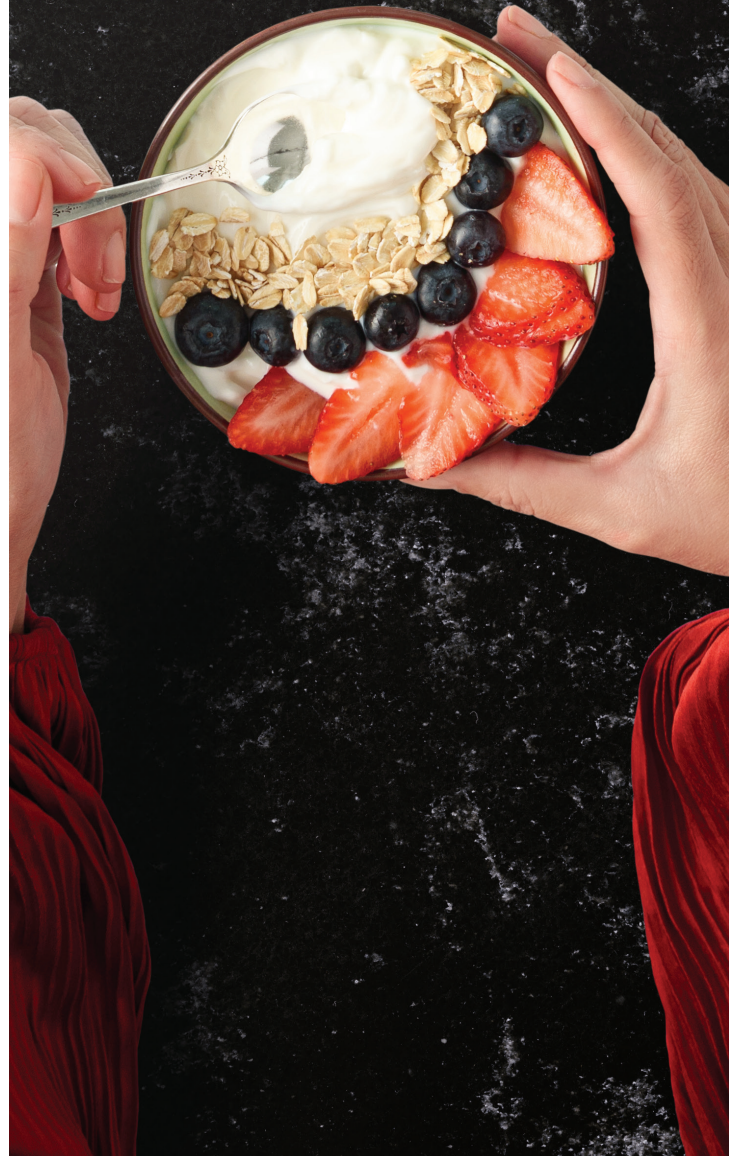
## To Approve Your Template, Please Visit

[www.midwestmanufacturing.com/template](http://www.midwestmanufacturing.com/template)

---

## Additional Materials Required

Painters Tape  
Tape Measure  
Permanent Marker  
Thumb Takes

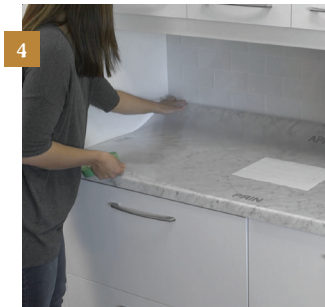


## 1 Transporting & Handling

### Existing Countertop

1. Roll out template over your existing countertop. (Fig 1)
2. Line the pieces up so all miters and joints are lined up. Use painters tape to secure the pieces together. Thumb tacks can also be used to hold the template in place. (Fig 2)
3. The back edge of the template should be lined up against the wall. Adhere the template to the wall or backsplash using painters tape or push pins. Level the front edge of the template with the backsplash using books, DVD's or scrap wood. This is easiest to do with another person assisting. (Fig 3)
4. (Fig 3)

For existing faucets, make slits in the template to accommodate. Please do not cut out the section as it contains information that will need to be verified in another step. (Fig 4)



### New Countertop

1. Roll out template on your cabinets. (Fig 5)
2. Line the pieces up so all miters and lined up are joints. Use painters tape to secure the pieces together. Thumb tacks can also be used to hold the template in place. (Fig 6)

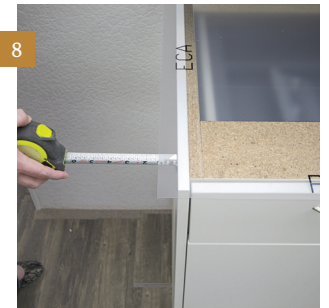


## 2 Verify Dimensions & Overhangs

1. Verify all dimensions to be accurate, including all lengths, widths and the height of the backsplash. (Fig 7)

NOTE: The thickness of the countertop will raise the backsplash to its appropriate height.

2. Verify that all cabinets are covered with the desired overhang. (Fig 8)
3. Verify all sink and appliance locations. Verify all sink and appliance locations. (Fig 9)



## 3 Verify All Edge Styles

### Quartz



OGEE



BLNS



DRO

### Solid Surface



OGEE



BEV



DRO



SRO

## 4 Verify All End Treatments

### LBS - Loose Backsplash

Commonly used to protect your wall from water damage.



### END SPLASH

Commonly used to protect your wall from water damage.



### UNFIN - Unfinished Straight Cut & Unfinished

Used on edges against a wall.



### NON/PROF - Non Profiled

Used on edge that can be seen.

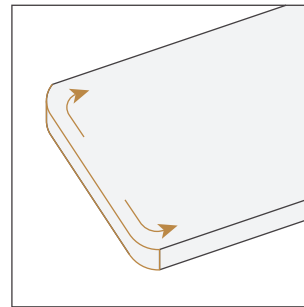


## 5 Verify All Radius Corners, Clips & Notches

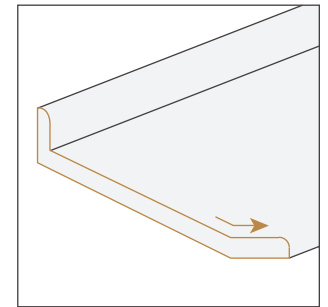
### Corner Treatment Abbreviation

All radius corners and clips should provide the desired overhang.

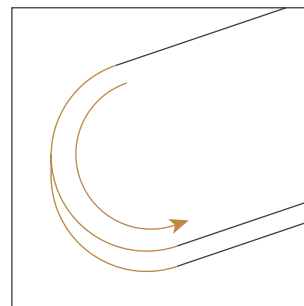
NOTE: 3" radius and a 3" clip require 3" added to the countertop length for proper overhang



.5"R - .5"Radius



2" CLP - 2"Clip

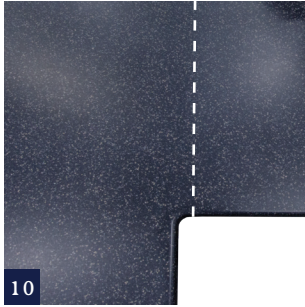


FULL - Full Radius

## 6 Verify Field Joints & J-Miters

### SEAM

Straight cut between two pieces of countertop. (Fig 10)



### J-MITER

Cut pieces to create corner (Quartz Only). (Fig 11)



---

NOTE: Seams should be located over a cabinet upright for support and to aid in the leveling of countertops. Seams or Miters should never be located over a dishwasher or where a sink is being placed (with exception of apron sinks on quartz)

---

## 7 Sink Cut Outs, Faucet Holes, Cook Top & Appliance Cutouts

### Drop In Sink

1. Verify the location of the sink cutout will work with your sink base cabinet.
2. Verify that the cutout shape and size is correct for the sink chosen:

Drop-in Sinks - Set the sink to be installed onto the template and verify that the cutout is the correct size for the sink to be installed. DO NOT Approve if you are not in possession of your sink.

Copper or Fire Clay Sinks - Verify dimensions of cutout. DO NOT Approve template unless actual sink can be verified as they can vary in size.

Factory installed sinks have additional information on the sink cutout to aid in placement. Sink cutout will show countertop cutout and sink rim location.

### Undermount Sink Cutouts

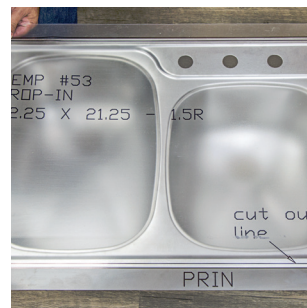
Verify that the cutout is the correct size and shape by laying the template over the sink. The cutout line will show how much of the sink will be exposed and or how large the overhang will be once the sink is installed.

---

DO NOT approve the if you are not in possession of your sink. The exception to this will be with factory installed or factory included sinks, as you will not have the sink in your possession. The cutout location still needs to be verified for accuracy.

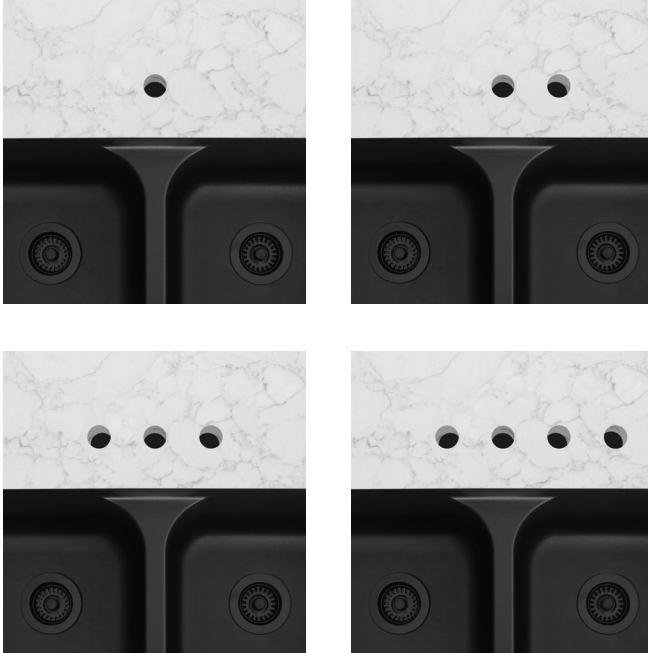
---

Factory included or factory installed sinks will have additional information on the sink cut out to aid in verification. Sink cut out will show countertop cut out and sink rim location. Verify the sink placement and the correct cut (Overhang or Reveal cut).



## Faucet Holes (Quartz Only)

1. Verify the location of the faucet holes drilled.
2. Ensure that the sink will not effect the location of the faucet holes.
3. Check the size of all faucet holes and verify that they will work with the faucet that you purchased.



## Cook-Top & Appliance Cutouts

1. Verify the placement of the appliance cut outs to the cabinets.
2. Set the appliance on the template to verify cut out is the correct size and shape.

## 8 Template Approval or Changes

If your template is correct and requires no changes, please go to [www.midwestmanufacturing.com](http://www.midwestmanufacturing.com) and choose the Countertop Template Approval button, enter the Template special order number, and your approval code, then click on approve template bottom on the web page. Once your template has been approved, your countertop will go into production.

---

**NOTE:** The lead time on your countertop start from the day your template is approved.

---

If your countertop order requires changes, please return to the **MENARDS**® store where your order was purchased and review the needed changes with a **MENARDS**® Team Member. Any changes made will require a new special order contract reflective of the changes. A **MENARDS**® Team Member will walk you through the process.

## Frequently Asked Questions

**Q** – When does my lead time begin?

**A** – When the template is approved at [www.midwestmanufacturing.com/template](http://www.midwestmanufacturing.com/template).

**Q** – Will my countertop be made per the template?

**A** – Your new countertop will be made exactly to the template specifications, unless changes were required.